

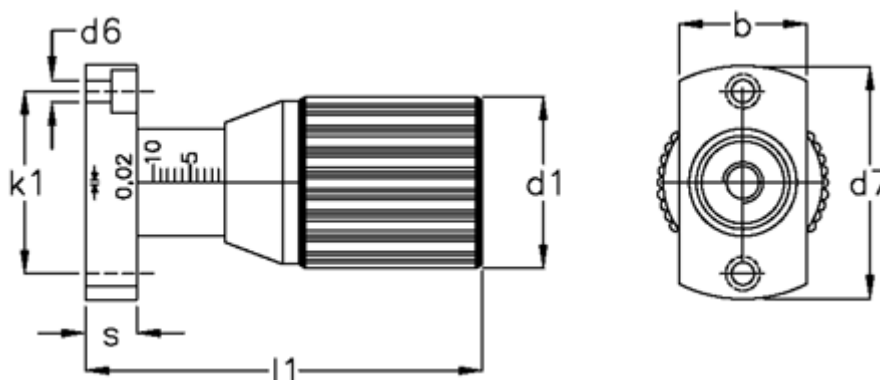
# Data Sheet



Article number: 20614432

Description: E+G Control knob w/adjustable spindle  
GN 727-27-A-SR - 10 rev. scale 0,1..0,9

## Measures



b = 20	h = 4.3
d1 = 27	k1 = 28
d2 = M 6	l1 = 54
d3 = M12x1	l2 = 19.5
d4 = 6.4	l3 = 37.5
d5 = 18	S = 10
d6 = 4.3	W = 10
d7 = 38	